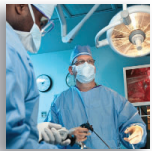


# 32" 4K Medical Display

## FM-E3250D, FM-E3250DG, FM-E3250DN



- Mini LED local dimming (2,304 dimming zones).
- HDR (PQ, HLG) support, dynamic contrast ratio up to 1,000,000 : 1.
- Default 12G-SDI clone out.
- Options for 12G-SDI and VoIP via 10G SPF+ (fiber and copper).



### The Latest Technology

Key features of this monitor series include UHD (3,840 x 2,160 pixels) resolution, multi-window mode support (PIP, PBP, triple, quad), and firmware updates through the internet.


Additionally, new technologies are designed into this model that will take surgical visualization to the next level. The use of mini-LED backlighting with local dimming zones improves brightness and contrast. HDR support will intelligently display dark areas and light areas with incredible detail.

Individual presets can be saved and recalled. Other options include: 12G-SDI clone output and VoIP support.



**HDR** (High Dynamic Range) utilizes more data to describe more steps in between light and dark areas. With HDR, images can get brighter, darker, and show a higher number of midtones, with blacks and whites reaching further extremes. HDR offers a wide color gamut, typically larger than standard color values used in Rec.709. DCI-P3 color space can reach 98%.

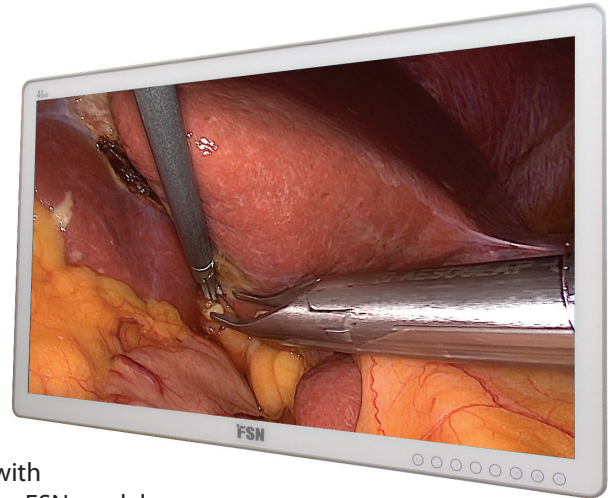
**Standard Dynamic Range (SDR)**



**High Dynamic Range (HDR)**

### Mini-LED

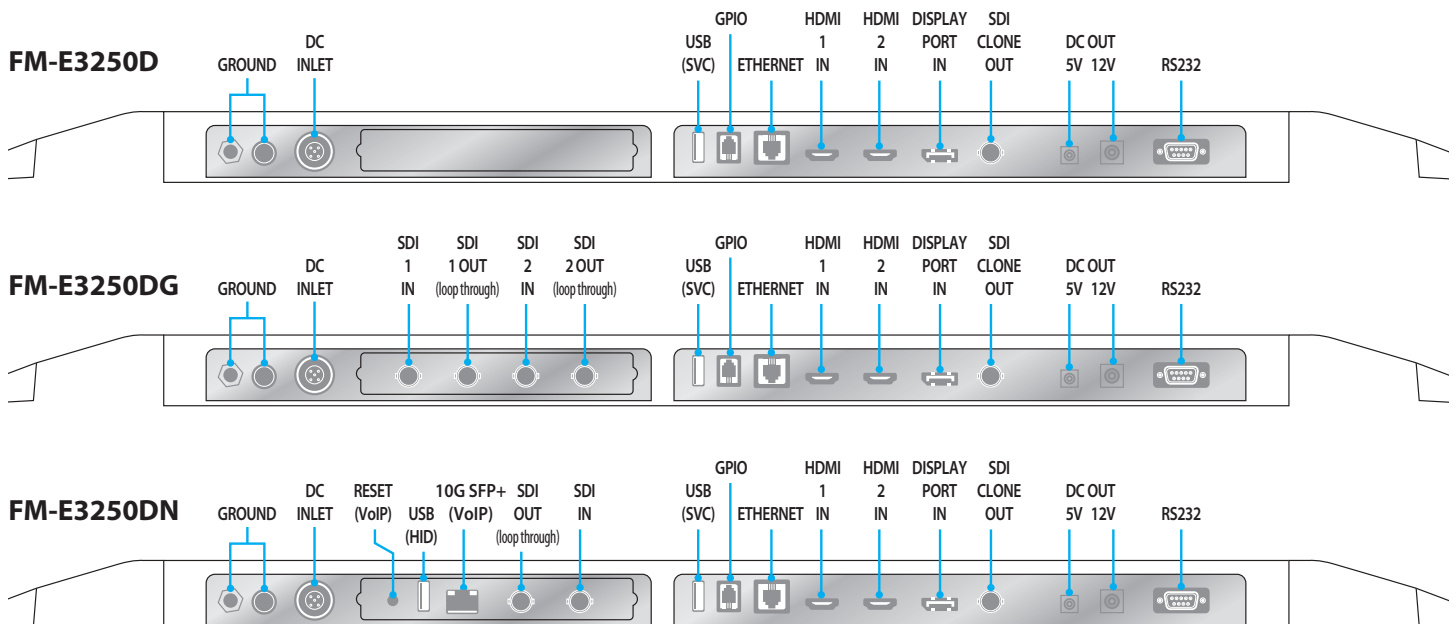
- Efficient, effective LCD backlighting
- Mini-LED diodes
- Precise dimming zones (2304)
- Less backlight bleed
- Targeted backlighting control
- Bright images, strong contrasts



As with other FSN models, maximum viewing angles allow several clinicians to view the display in the same room without loss of image quality or distortion. A back cable cover is provided to manage cords and wires.

### Web-Based Control

These monitors have a built-in network control system. Using REST API architecture, users can configure various parameters including firmware and EDID data.



# 32" 4K Medical Display

## FM-E3250D, FM-E3250DG, FM-E3250DN



## Specifications



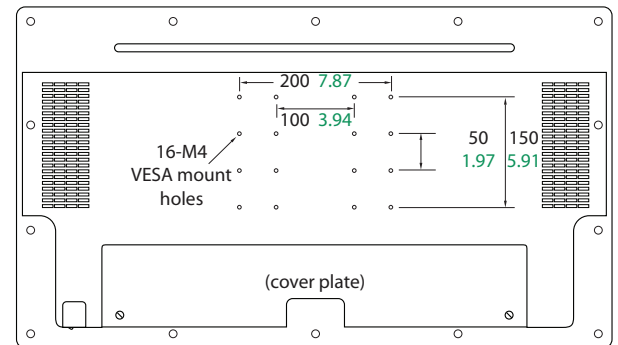
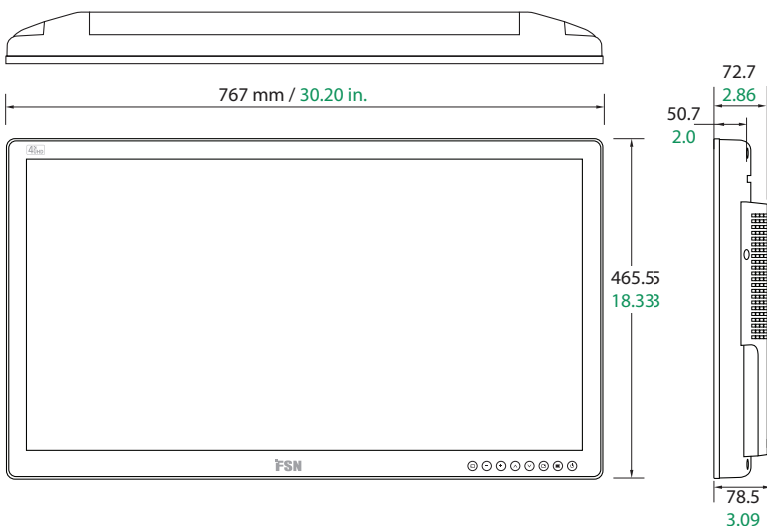
### General Features

Item	Description
Panel	32 inch mini-LED
Resolution	3840 x 2160 pixels
Active Area	708.48 (H)mm x 398.52 (V)mm
Pixel Pitch (mm)	0.1845 x 0.1845
Response Time (typical)	20 ms
Dimming Zones	2304
Number of Colors	1.07 Billion, 10 bit (True 10) support
Brightness (typical)	1000 cd/m <sup>2</sup> white luminance (full screen) 1800 cd/m <sup>2</sup> white luminance (10% center patch)
Color Gamut	BT.709 (100%) and BT.2020 (DCI-P3 98%)
Contrast Ratio (typical)	1800 : 1 (1,000,000 : 1 dynamic)
Surface Treatment	Anti-reflection, anti-fingerprint
Viewing Angle (CR>10)	R/L 178°, U/D 178°

		FM-E3250D	FM-E3250DG	FM-E3250DN
Input Signal	HDMI 2.0	x 2	x 2	x 2
	DP 1.4 SST	x 1	x 1	x 1
	SDI (12G)	-	x 2	x 1
	10G SFP+ (Rx)	-	-	x 1
Output Signal	SDI (12G) clone out	x 1	x 1	x 1
	SDI (12G) loop through	-	x 2	x 1
	10G SFP+ (Tx)	-	-	x 1

FSN Medical Technologies products meet EU RoHS Directive 2011/65/ EU+2015/863/EU and Registration, Evaluation, Authorisation and Restriction of Chemicals (REACH) obligations. FSN manages the information flow as required by regulations.



Item	Description	
DC Power Out	12V/2A x 1, 5V/2A x 1	
External Control	RS-232, Ethernet	
GPIO Port	Source change, Single/PBP/PIP select, Recording indicator	
Power Supply	AC/DC Adaptor (AC 100~240V, DC 24V/12.5A)	
Power Consumption	FM-E3250D	190W max
	FM-E3250DG	200W max
	FM-E3250DN	205W max
Accessories Included	User manual, AC-DC adaptor, AC power cord, DP cable, HDMI cable, BNC cable, Screw BH M4 x 14	
Unit Dimension	767(W) x 465.5(H) x 72.7(D) mm 30.20(W) x 18.33(H) x 2.86(D) inch	
Package Dimension	905(W) x 744(H) x 230(D) mm 35.6(W) x 29.3(H) x 9(D) inch	
IP Rating	IP22 - overall	
Weight	FM-E3250D	11.5 kg, 25.35 lbs. (monitor with cover) 17.8 kg, 39.24 lbs. (shipping package)
	FM-E3250DG	11.6 kg, 25.57 lbs. (monitor with cover) 17.9 kg, 39.46 lbs. (shipping package)
	FM-E3250DN	11.7 kg, 25.79 lbs. (monitor with cover) 18 kg, 39.68 lbs. (shipping package)
Certifications	ANSI/AAMI ES60601-1 (UL60601-1), CAN/CSA C22.2 No. 60601-1, FCC Class B, EN60601-1, EN60601-1-2, CE, MDR(EU) 2017/745 Class I Medical Device	

Specifications are subject to change with or without notice. Doc.# FSN2089 Rev. 11/25

Nirol Professional Displays  
Ippelseweg 15-b  
4255 HW, Nieuwendijk  
The Netherlands  
+31 (0) 183 50 50 64  
info@nirol.nl

