

32" 4K Medical Display

FM-E3230D, FM-E3230DG, FM-E3230DN

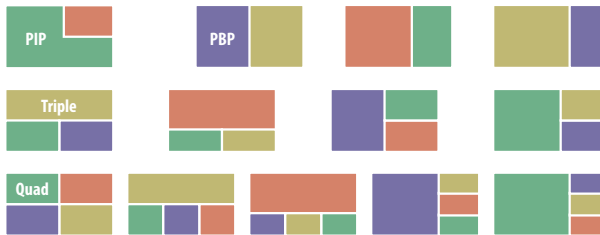


- Supports HDR for incredible picture quality.
- Options for 12G-SDI or 10G SFP+ support.
- Web-based network control system.



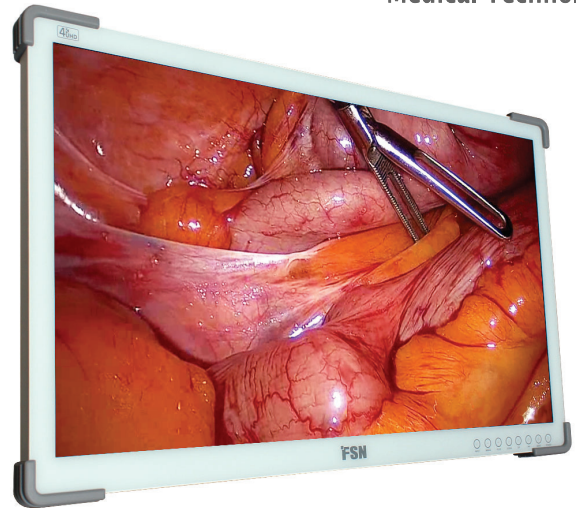
Enhance Image Quality

The next level of surgical display monitor performance has arrived with FM-E3230D series. This model features UHD resolution for high levels of detail and ultra-sharp picture clarity. In addition to HDMI and DisplayPort, FM-E3230DG offers 12G-SDI signal input and output. FM-E3230DN supports video over IP using 10G SFP+ technology.



Quad window layouts are available with FM-E3230DG and FM-E3230DN.

Additional benefits of this display include multi-window layouts, save and recall preset configurations, HDR support (wide color gamut), and smart input sensing that switches to



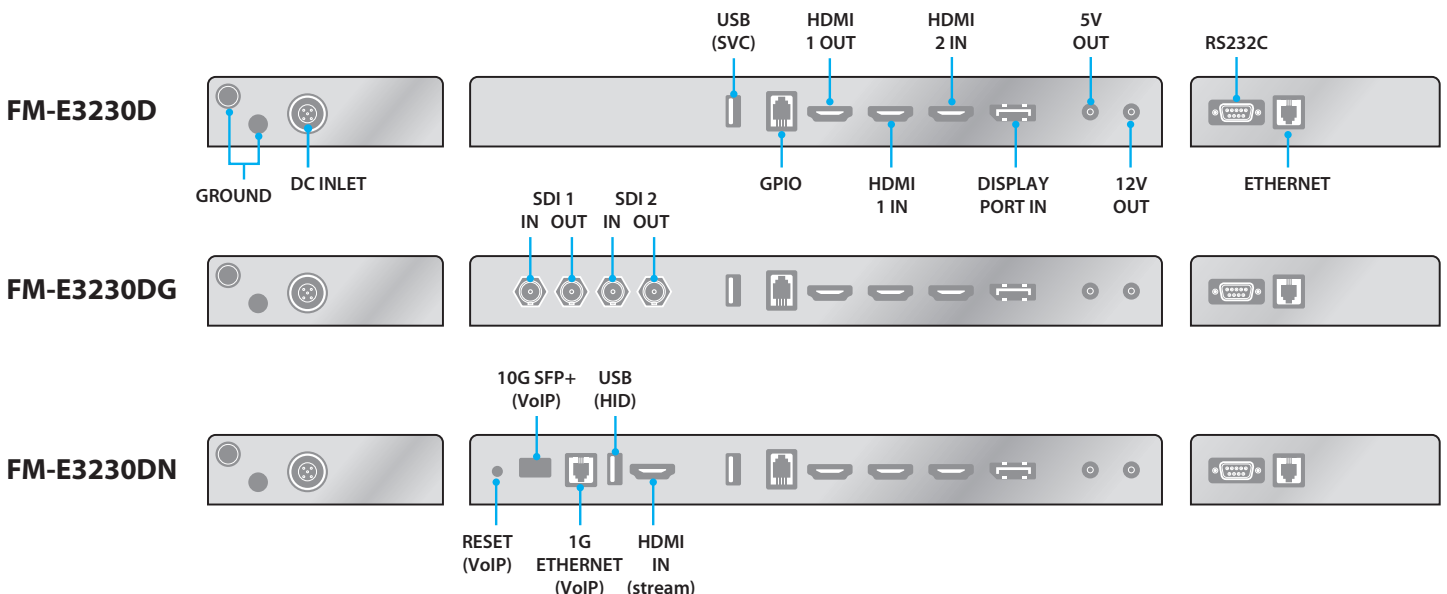
a designated second source when the main signal is no longer available. 5V and 12V output power on the displays can be utilized for components such as a wireless receiver.

Built for the OR

FSN monitors are designed with maximum viewing angles, allowing several clinicians to view the display in the same room without loss of image quality or distortion. Protective guards on the bezel corners help reduce bumping incidents. A back cable cover is provided with each monitor to manage cords and wires.

Web-Based Control

These monitors have a built-in network control system. Using REST API architecture, users can configure various parameters including firmware and EDID data.



32" 4K Medical Display

FM-E3230D, FM-E3230DG, FM-E3230DN



Specifications

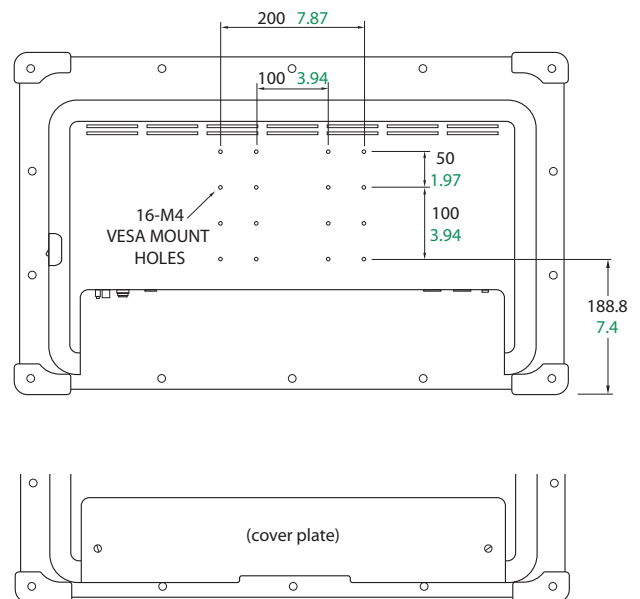


General Features

Item	Description
Panel	32 inch TFT LCD (LED)
Resolution	3840 x 2160 pixels
Active Area	708.48 (H)mm x 398.82 (V)mm
Pixel Pitch (mm)	0.1845 x 0.1845
Response Time (typical)	18 ms
Number of Colors	1.07 Billion
Brightness (typical)	800 cd/m ²
Color Gamut	BT.709(100%), BT.2020(DCI-P3 95%)
Contrast Ratio (typical)	1500 : 1
Surface Treatment	Anti-reflection, anti-fingerprint
Viewing Angle (CR>10)	R/L 178°, U/D 178°

	FM-E3230D	FM-E3230DG	FM-E3230DN	
Input Signal	HDMI 2.0	x 2	x 2	x 3
	DisplayPort 1.4 SST	x 1	x 1	x 1
	SDI (12G)	-	x 2	-
	10G SFP+ (Rx)	-	-	x 1
Output Signal	HDMI 2.0	x 1	x 1	x 1
	SDI (12G)	-	x 2	-
	10G SFP+ (Tx)	-	-	x 1

Item	Description	
DC Power Out	12V/2A x 1, 5V/2A x 1	
External Control	RS-232, Ethernet	
GPIO Port	Source change, Single/PBP/PIP select, Recording indicator	
Power Supply	AC/DC Adaptor (AC 100~240V, DC 24V/8.3A)	
Power Consumption	FM-E3230D	150W max
	FM-E3230DG	160W max
	FM-E3230DN	155W max
Accessories Included	User manual, AC-DC adaptor, AC power cord, DP cable, HDMI cable, BNC cable (FM-E3230DG), Screw BH M4 x 14	
Unit Dimension	773(W) x 478(H) x 75.2(D) mm 30.43(W) x 18.82(H) x 2.96(D) inch	
Package Dimension	905(W) x 744(H) x 230(D) mm 35.6(W) x 29.3(H) x 9(D) inch	
IP Rating	IP33 - overall	
Weight	FM-E3230D	10.5 kg, 23.15 lbs. (monitor with cover) 16.3 kg, 35.94 lbs. (shipping package)
	FM-E3230DG	10.7 kg, 23.6 lbs. (monitor with cover) 16.5 kg, 36.38 lbs. (shipping package)
	FM-E3230DN	10.6 kg, 23.4 lbs. (monitor with cover) 16.4 kg, 36.16 lbs. (shipping package)
Certifications	ANSI/AAMI ES60601-1(UL60601-1), CAN/CSA C22.2 No. 60601-1, FCC Class B, EN60601-1, EN60601-1-2, CE, MDR(EU) 2017/745 Class I Medical Device	



FSN Medical Technologies products meet EU RoHS Directive 2011/65/EU+2015/863/EU and Registration, Evaluation, Authorisation and Restriction of Chemicals (REACH) obligations. FSN manages the information flow as required by regulations.

Specifications are subject to change with or without notice. Doc. # FSN2086 Rev. 10/25

Nirol Professional Displays
Ippelseweg 15-b
4255 HW, Nieuwendijk
The Netherlands
+31 (0) 183 50 50 64
info@nirol.nl

