

# 55" 3D 4K Medical Display

## FM-A5505DGC

Rev. 02



- *OLED technology. High contrast ratio. Perfect blacks.*
- *Supports HDR for an incredible image.*
- *Immersive 3D viewing is ideally suited for large screens.*



### More Surface Textures More Depth of Field

FM-A5505DGC Rev.02, the 55" 3D display monitor from FSN, delivers OLED and HDR technology for true blacks, better contrast, power efficiency, and lighter weight. The immersive viewing experience of 3D is ideally suited for a large screen of this size.

FM-A5505DGC Rev.02 is compatible with highly specialized visualization equipment used in operating rooms and surgical suites. It is suitable for showing images at sizes big enough to remain visible across the operating room. Picture quality is crystal clear. The HDR wide color gamut is typically larger than standard color values used in Rec.709. DCI-P3 color space can reach 98%.



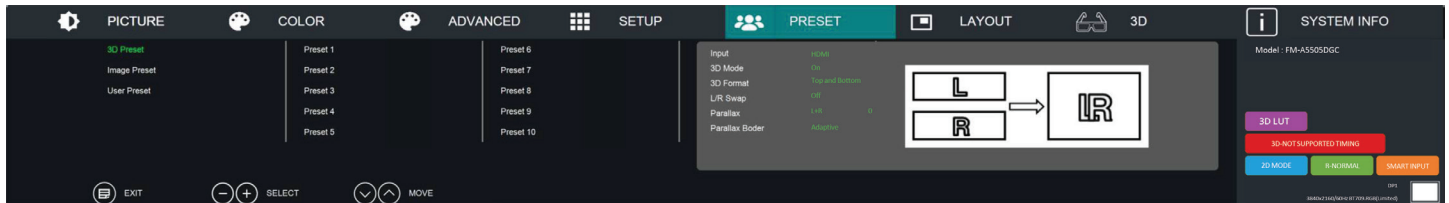
3D eye wear included.



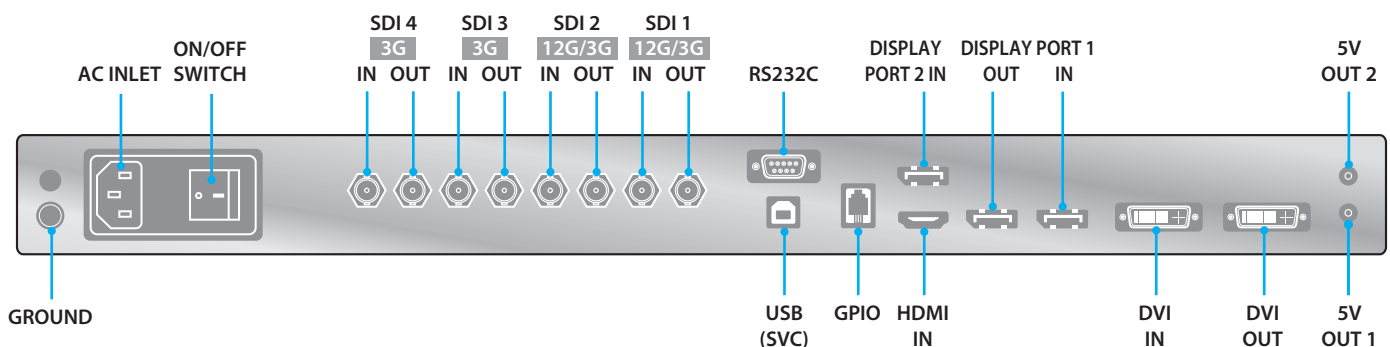
### Complete Control

A detailed user menu offers control for the best possible image settings. The interface will adjust Picture, Color, Advanced, Setup, Preset, Layout, and 3D.

FSN's attention to engineering details, such as rounded bezel corners, backlit touch buttons, and a comprehensive set of included accessories, allows for safe and efficient interaction. This large screen delivers everything that professionals need in a 3D, 4K UHD medical-grade monitor.



The FM-A5505DGC Rev.02 on-screen display (OSD) offers detailed user control menus.



# 55" 3D 4K Medical Display

## FM-A5505DGC

Rev. 02



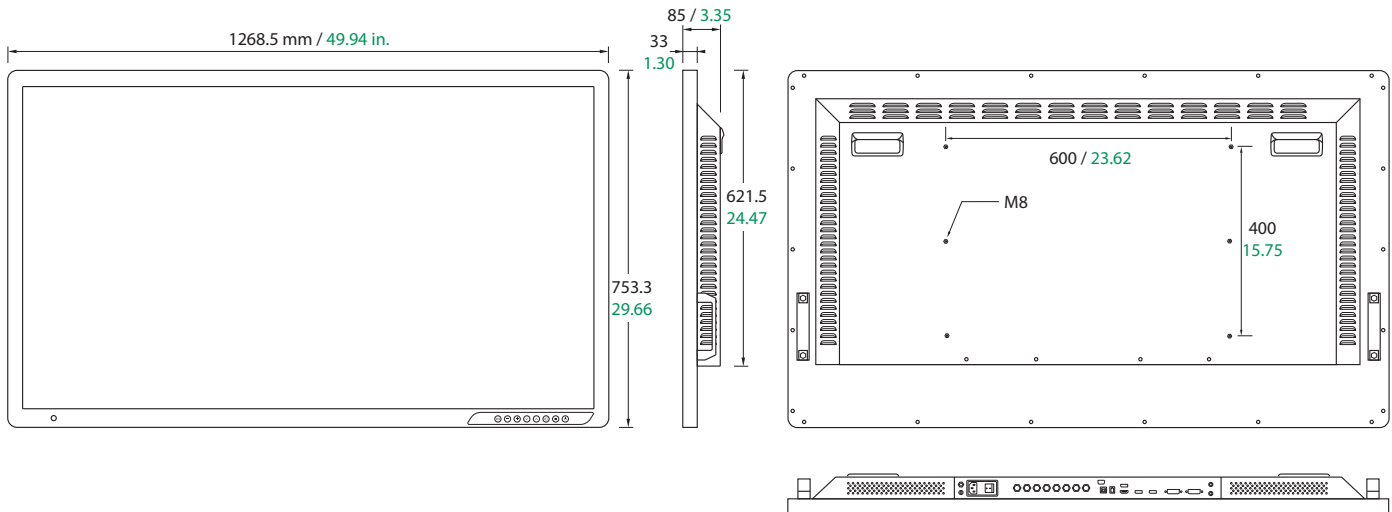
## Specifications

### General Features

Item	Description			
Panel	55 inch OLED			
Resolution	3840 x 2160 pixels			
Aspect Ratio	16 : 9			
Active Area	1209.60 (H)mm x 680.40 (V)mm			
Pixel Pitch (mm)	0.315 x 0.315			
Response Time (typical)	1 ms (gray to gray)			
Number of Colors	1.07 Billion			
Luminance, Bypass (2D / 3D) cd/m <sup>2</sup>	Peak	376/151	470/192	25% white box
	Normal	144/58	80/73	100% white pattern
Luminance, D65 (2D / 3D) cd/m <sup>2</sup>	Peak	366/135	420/174	25% white box
	Normal	136/55	170/69	100% white pattern
Luminance, D65 (2D / 3D, HDR) cd/m <sup>2</sup>	Peak	496/202	620/252	10% white box
	Normal	336/135	420/170	25% white pattern
Gamut	BT.709 and BT.2020 compatible			
Contrast Ratio, D65 (2D, typical) cd/m <sup>2</sup>	420,000 : 1 (peak), 170,000 : 1 (normal)			
Surface Treatment	Anti-glare			
Viewing Angle	(2D) R/L 120°, U/D 120°			
	(3D) U/D 16°			

FSN Medical Technologies products meet EU RoHS Directive 2011/65/EU+2015/863/EU and Registration, Evaluation, Authorisation and Restriction of Chemicals (REACH) obligations. FSN manages the information flow as required by regulations.

Item	Description
Input Signal	1 x HDMI (2.0, HDCP 2.3)
	2 x DP (1.2 SST)
	4 x SDI (2 x SDI 3G), (2 x SDI 12G)
	1 x DVI (single link, HDMI 1.4, HDCP 1.4)
Output Signal	1 x DP 1.2 (SST)
	4 x SDI (2 x SDI 3G), (2 x SDI 12G)
	1 x DVI (single link)
Power Supply	SMPS (AC 100 ~240V)
Power Consumption	350W max, 160W typ
Accessories Included	User manual, AC power cord, DP cable, HDMI cable, DVI-D cable, BNC cable, 3D glasses, Remote control and batteries
Unit Dimension	1268.5(W) x 753.3(H) x 85(D) mm
	49.94(W) x 29.66(H) x 3.35(D) inch
Package Dimension	1453(W) x 937(H) x 300(D) mm
	57.2(W) x 36.89(H) x 11.8(D) inch
Weight	33 kg, 72.75 lbs. (monitor)
	43.8 kg, 96.56 lbs. (shipping package)
Certifications	ANSI/AAMI ES60601-1 (UL60601-1), CAN/CSA C22.2 No. 60601-1, FCC Class B, EN60601-1, EN60601-1-2, CE, MDR(EU) 2017/745 Class I Medical Device



Specifications are subject to change with or without notice. Doc. # FSN2032 Rev. 3/25

Nirol Professional Displays  
Ippelseweg 15-b  
4255 HW, Nieuwendijk  
The Netherlands  
+31 (0) 183 50 50 64  
info@nirol.nl

